



The Mercedes-Benz Citan.

Panel and Tourer Van models.

Price list effective from 1 January 2021 production.

Mercedes-Benz





Contents

> Model overview	3
> Trims	
Citan PURE	4
Citan PRO	5
> Colours and Upholstery	6
> Wheels	7
> Upgrades	8
> Equipment	9
> Engine and & gearbox	14
> Fuel consumption	15
> Weights and payloads	16
> Dimensions	17
> List prices	20
> Approved Used	21
> Finance options	22
> Aftercare	23

Please note

This document provides information about the model range line-up and specifications of the Citan. It also contains key details about options, economy and performance of all variants. Details are correct at time of publication and are subject to revision. Any images used in this document may not reflect UK specification and are for illustrative purposes only. Images may show optional equipment which does not form part of UK standard specification.

The Mercedes-Benz Citan.

2 van models:



Panel Van - 2 seats



Tourer - 5 seats



2 lengths:

L2



Height: 1,816mm

Length: 4,321mm

L3 (Available on Panel Van only)



Height: 1,839mm

Length: 4,705mm

2 trims:



PURE (Available on Panel Van only)



PRO (Available on Tourer only)

The Citan PURE.

Available on Panel Van models. Features include:

Interior

- Central locking
- Driver's airbag
- Height-adjustable seat belts and belt force limiters
- Load securing rings
- Partition made of sheet steel
- Plastic load area flooring
- Pollen filter

Exterior

- Daytime running lamps and halogen front fog lamps
- Electrically heated and adjustable mirrors
- Heat-insulating windows
- Third brake light
- Twin rear doors 180° without windows

Safety, security and connectivity

- Automatic activation of the hazard warning lights during emergency braking
- Belt warning for the driver's seat
- BlueEFFICIENCY with battery / alternator management, ECO start / stop function, tyres optimised for roll resistance
- Brake ASSIST
- Cruise control / Speed limiter
- Electronic Stability Program (Adaptive ESP®)
- Hill-start ASSIST
- Power-assisted steering
- Digital Radio / MP3 with bluetooth connectivity

From £18,645*

*Based on a Citan 109 PURE L2.

• 2 lengths available

- L2: 4,321mm
- L3: 4,705mm

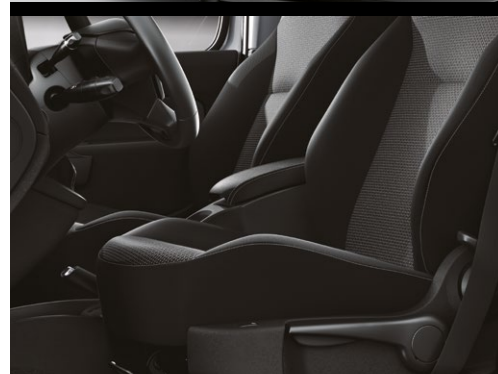
• 1 transmission available

- 6-speed (manual)

➤ [Arrange a test drive at your nearest Dealership](#)



*Image includes option equipment: Cargo pack (N20Z).



The Mercedes-Benz Citan 4

The Citan PRO.

Available on Tourer models. Features include:

Interior

- Central locking
- Driver's airbag
- Folding rear bench seat split 1/3 to 2/3
- Height-adjustable seat belts and belt force limiters
- Load securing rings
- Plastic floor in passenger and load compartments
- Pollen filter

Exterior

- Daytime running lamps and halogen front fog lamps
- Electrically heated and adjustable mirrors
- Heat-insulating windows
- Third brake light
- Twin rear doors 180° without windows

Safety, security and connectivity

- Automatic activation of the hazard warning lights during emergency braking
- Belt warning for the driver's seat
- BlueEFFICIENCY with battery / alternator management, ECO start / stop function, tyres optimised for roll resistance
- Brake ASSIST
- Cruise control / Speed limiter
- Electronic Stability Program (Adaptive ESP®)
- Hill-start ASSIST
- Power-assisted steering
- Digital Radio / MP3 with bluetooth connectivity

From £20,630*

*Based on a Citan 109 PRO L2.

- 1 length available

L2: 4,321mm

- 1 transmission available

6-speed (manual)

➤ [Arrange a test drive at your nearest Dealership](#)



Image includes optional upgrades.



The Mercedes-Benz Citan

Colours and upholstery.

Solid paints



Amarena red



Arctic white



Ink blue



Magnetite Grey



Pebble grey

Metallic paints



Bornite red metallic



Helvinsilver



Dravite black metallic



Kornelite blue metallic

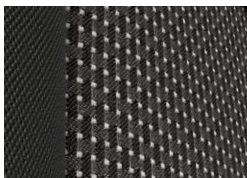


Limonite brown metallic



Tenorite grey metallic

Interior upholstery



Lima black fabric (VH5)

► [For paint pricing, see page 8](#)

Wheels.

Our upgraded wheel options include:

1. **15" 7-spoke wheel, silver (RL4)**
195/65 R15 tyres
2. **16" 12-spoke wheel, silver (RL5)**
205/55 R16 tyres
3. **16" 12-spoke wheel, matt grey (R1M)**
205/55 R16 tyre
4. **Full wheel cover (RD8)**

Please [see page 11](#) for wheel prices. Or consult your local Dealer for the full range of wheels available.

[Find your nearest Dealership](#)



Equipment (standard and optional overview).



Every Citan model comes with a host of standard features, plus a range of optional equipment and packages you can add to enhance your van.

Key: ● Standard ○ Optional – Not available

Equipment	Description	Option code	Panel Van PURE	Tourer PRO	Basic Price exc. VAT	Basic Price inc. VAT
Upgrade packages						
Exterior	Construction site package Equipment items which are specifically compatible with applications away from surfaced roads, e.g. with increased ground clearance, underguard and reinforced tyres.	PZ5	○	○	£80.00	£96.00
	Off-road-look package, exterior Further increases the value of the design with characteristic SUV detachable parts and gives the Citan a sturdy and even more distinctive appearance.	F2L	○	○	£1,560.00	£1,872.00
Interior	Cargo pack Includes folding bulk pack that offers load space flexibility to suit your business's needs.	N20Z	○	-	£475.00	£570.00
Paint	Paint Package Paint Package includes; Front and rear bumpers painted in vehicle colour (CM0) Tail light shades painted in vehicle colour (CN0) Outside mirrors painted in vehicle colour (F73) Cover for the sliding door rail painted in the vehicle colour (T78), to protect the sliding door, additionally for the Citan Tourer.	YP1	○	○	£280.00	£336.00
Trim	Chrome interior appointments package Visually enhances the driver and co-driver areas with attractive chrome trim.	FP4	○	○	£180.00	£216.00
	Design package, interior, chrome Adds an attractive gloss to the interior with a comprehensive use of chrome trim and red topstitching.	F20	○	○	£250.00	£300.00
	Design package, interior, colour Lends the driver's and co-driver's area attractive accents with red piping and red topstitching.	F2P	○	○	£250.00	£300.00

Changes to individual option availability and combinations may occur depending on vehicle specification choices and the continuing evolution and adaptation of our product range. These changes may not be immediately reflected in this document as they occur, but will be introduced at the next revision opportunity.

Equipment (standard and optional overview).

Equipment	Description	Option code	Panel Van PURE	Tourer PRO	Basic Price exc. VAT	Basic Price inc. VAT
Exterior						
Bodywork	Chrome-plated radiator grille The additional chrome-plated trim elements on the radiator trim further visually enhance the front design of the vehicle.	FK3	○	○	£150.00	£180.00
Interior						
Heating and Ventilation	Air-conditioning system Cools the interior when required, enhancing driving comfort. It also helps to prevent the windows from misting up.	H06	○	○	£930.00	£1,116.00
	TEMPMATIC semi-automatic air conditioning Increases the well-being with pleasant interior temperatures and makes an important contribution towards driver-fitness safety.	HH9	○	○	£1,230.00	£1,476.00
Seating	Co-driver's seat foldable The backrest of the co-driver seat can be folded down and the load compartment area increased, e.g. for transporting particularly long objects.	S21	○	●	£185.00	£222.00
Steering	Leather steering wheel Enhances the appearance of the cockpit. The pleasant leather lining provides good grip and the ergonomically shaped steering wheel rim tangibly increases the levels of comfort.	CL3	○	○	£105.00	£126.00
Storage	Armrest with stowage compartment Serves as additional storage space and as a comfortable armrest.	FG1	○	○	£105.00	£126.00
	Luggage space cover The load compartment cover protects the cargo from prying eyes and sunlight and offers needs-based loading with 3 different adjustment options.	V57	-	○	£105.00	£126.00
	3-section overhead stowage facility in passenger compartment The overhead shelf with 3 compartments offers a particularly large stowage space of 24.4l for storing important documents or items tidily and in within reach of the occupants in the vehicle.	FG3	-	○	£110.00	£132.00
	Underfloor stowage compartments in passenger compartment The stowage compartments are located in the footwell of the 3-seater bench seat and with 2 stowage compartments each with a capacity of approx. 6.6l they offer additional storage space for small items or documents.	FG2	-	○	£60.00	£72.00

● Standard ○ Optional - Not available

Equipment (standard and optional overview).

Equipment	Description	Option code	Panel Van PURE	Tourer PRO	Basic Price exc. VAT	Basic Price inc. VAT
Technology, Software and Electrics						
Audio	Digital Radio (DAB) Includes DAB+ receiver, FM / AM radio, CD Player, USB 2.0 port and Bluetooth.	E1D	●	●	£0.00	£0.00
	Radio with CD player	EK3	○	○	£160.00	£192.00
Electrics	Socket, 12V, passenger compartment Serves as a practical power supply source in the passenger compartment.	ES1	-	○	£35.00	£42.00
Navigation	Navigation system, including radio Combines route guidance via GPS with a digital radio according to standard DAB+ and is operated via a touchscreen display.	E1M	○	○	£520.00	£624.00
Drivers Assistance & Safety						
Airbags	Airbag, front driver's seat	/	●	●	£0.00	£0.00
	Airbag, co-driver	SA6	○	●	£160.00	£192.00
	Thorax sidebag, driver (in seat backrest)	SH6	○	○	£205.00	£246.00
	Thorax sidebag, driver & co-driver (seat backrest)	SH7	○	●	£305.00	£366.00
Drivers Assistance	Brake ASSIST	BA2	●	●	£0.00	£0.00
	Cruise control Makes it possible to maintain a pre-established speed and can relieve the strain on the driver.	MS1	●	●	£0.00	£0.00
	Hillstart ASSIST	E07	●	●	£0.00	£0.00
	Light and rain sensor The light and rain sensor supports comfortable and safe driving by activating the driving light and automatically regulating the wiping interval where necessary.	JA5	○	○	£150.00	£180.00
Parking	Reversing aid The ultrasonic reversing aid uses an acoustic distance warning function to provide support when entering and leaving parking spaces and can thus help to prevent damage.	J44	○	-	£300.00	£360.00
	Reversing camera Renders the area directly behind the vehicle visible and can improve the overview when parking and manoeuvring, in particular in tight traffic conditions.	FR8	○	○	£480.00	£576.00

● Standard ○ Optional - Not available

Equipment (standard and optional overview).

Equipment	Description	Option code	Panel Van PURE	Tourer PRO	Basic Price exc. VAT	Basic Price inc. VAT
Safety	Seat belt warning for driver's seat	J58	●	●	£0.00	£0.00
Safety Equipment	Anti-theft warning system Can protect the parked vehicle and warns of detected unauthorised attempts to get into the vehicle with a visual and audible alarm.	J67	○	-	£370.00	£444.00
	First aid kit	Y10	○	●	£25.00	£30.00
	Fire extinguisher	Y16	○	○	£110.00	£132.00
	Warning triangle Secures the scene of an accident or breakdown and warns drivers of following vehicles. This increases the safety of all road users.	Y44	○	○	£25.00	£30.00
Tyres	M+S tyres Improve traction and grip in wintry road conditions.	RM1	○	●	£150.00	£180.00
	Tyres 205/55 R16 Ideally matched with regard to the driving safety, fuel efficiency and quiet running characteristics of the vehicle.	RN1	○	○	£170.00	£204.00
	Tyres 195/65 R15 reinforced Reinforced tyres are ideally matched with regard to the handling safety, fuel efficiency and quiet running characteristics of the vehicle.	RN3	○	○	£100.00	£120.00
	Tyre pressure monitoring front/rear, wireless Checks the air pressure at all 4 wheels, can warn the driver of a loss of pressure in the tyres, thereby increasing driving safety and prolonging the life of the tyres.	RY2	○	-	£205.00	£246.00
Wheels	15" Steel Wheels Wheel: 6 J x 15. Tyres: 195/65 R15.	RS0	●	●	£0.00	£0.00
	Full wheel cover Visually enhances the vehicle and also protects the valve and the wheel hub.	RD8	○	○	£240.00	£288.00
	Light alloy wheels 6.5 J x 15 Wheel: 6.5 J x 15. Tyres: 195/65 R15.	RL4	○	○	£540.00	£648.00
	Light-alloy wheels, 6.5 J x 16, matt grey Wheel: 6.5 J x 16. Tyres: 205/60 R16 or 205/55 R16.	R1M	○	○	£730.00	£876.00
	Light alloy wheels 6.5 J x 16 Wheel: 6.5 J x 16 ET 52. Tyres: from 195/65 R16 to 225/60 R16.	RL5	○	○	£690.00	£828.00

● Standard ○ Optional - Not available

Equipment (standard and optional overview).

Equipment	Description	Option code	Panel Van PURE	Tourer PRO	Basic Price exc. VAT	Basic Price inc. VAT
Loading & Towing						
Bulkhead	Folding load protector grille, passenger side	DW5	○	-	£110.00	£132.00
	Omission partition With the omission of the partition the load compartment increases, also enabling particularly long objects to be loaded and transported. Special interior fittings are also easier to install.	D93	○	-	-£80.00	-£96.00
	Partition panelling The trim on the continuous partition consists of a light needle felt, significantly enhances the look of the interior in the vehicle and improves sound insulation as well as heat insulation.	V51	○	-	£315.00	£378.00
Flooring	Wood flooring The very hard-wearing wood floor made of weather-resistant plywood protects the load compartment floor from damage, is slip-resistant, easy to care for and improves the heat and sound insulation.	V43	○	-	£270.00	£324.00
Loading	Interior panelling Protects the inner walls of the load compartment against damage with a robust plastic surface.	V23	○	●	£240.00	£288.00
	Load space int. trim up to roof (wood) The trim in wood for the load compartment protects the sheet metal surfaces up to the roof frame against damage caused by sliding loads, for example.	VA2	○	-	£300.00	£360.00
	Sliding door right The right-hand sliding door makes it easy to climb in and out and with its opening width of up to 638mm it offers a convenient way of loading and unloading, even in narrow alleyways or parking spaces. Standard for L3 Van and L2 Tourer.	T16	● / ○	●	£260.00	£312.00
Mirrors and Windows						
Mirrors	Electrically foldable exterior mirrors The electrically folding outside mirrors on the driver's and co-driver side can prevent damage to the mirror housings, for example when parking at the side of the road.	F64	○	○	£130.00	£156.00
	Heated and electrically adjustable exterior mirrors Enable the mirrors to be conveniently and quickly aligned, facilitating good vision even in cold temperatures.	F68	●	●	£0.00	£0.00
	Mirror in co-driver's sun visor	F56	-	○	£25.00	£30.00
	Rear-compartment monitoring mirror The interior mirror makes it easy for the driver and co-driver to see the rear area of the vehicle.	F78	-	○	£30.00	£36.00

● Standard ○ Optional - Not available

Equipment (standard and optional overview).

Equipment	Description	Option code	Panel Van PURE	Tourer PRO	Basic Price exc. VAT	Basic Price inc. VAT
Trailer	Trailer coupling, rigid coupling head With the aid of the trailer coupling permanently installed at the factory, trailer loads up to a given maximum weight can be transported.	Q22	○	-	£535.00	£630.00
Weight	Weight variant 2, 100kg Allows the vehicle configuration to be adapted to the vehicle's specific use. Not applicable for the L3 Panel Van.	XK7	○	-	£225.00	£270.00
	Load retaining net	V78	-	○	£150.00	£180.00
Windows	Front power windows	FE8	●	●	£0.00	£0.00
	Heavily tinted windows in the rear Protects the occupants and cargo from excessive sunlight and heat, shields the interior from prying eyes and supports pleasant temperatures in the vehicle.	W83	-	○	£175.00	£210.00
	Tinted rear window, heavily tinted Protects the occupants and cargo from excessive sunlight and heat, shields the interior from prying eyes and supports pleasant temperatures in the vehicle.	W84	○	-	£75.00	£90.00
	Window front left, fixed, in sidewall/sliding door Lets lots of light into the load and passenger compartment and enables the vehicle occupants to see better when manoeuvring.	W16	○	-	£150.00	£180.00
	Window front right, fixed, in sidewall/sliding door Lets lots of light into the load and passenger compartment and enables the vehicle occupants to see better when manoeuvring.	W17	○	-	£150.00	£180.00
	Window in tailgate/rear door with wipe/wash system Facilitates better vision to the rear and make manoeuvring easier.	W78	○	●	£150.00	£180.00
Lighting						
Lighting	Halogen front fog lamps Can improve the driver's vision in difficult weather conditions without dazzling the oncoming traffic.	L16	○	○	£160.00	£192.00

● Standard ○ Optional - Not available

Engine and gearbox.

Panel Van and Tourer (Both engines available on Panel Van and Tourer)

Engine specifications	109CDI	111CDI
Fuel	Diesel	
Mixture preparation / injection method	4-stroke turbo charge direct injection diesel	
Cylinder arrangement	4, in-line 8V	
Cubic capacity	1,461cc	
EU exhaust emission standard	Euro 6d-TEMP M/N1 GR.II	
Output, max.	94hp	114hp
	3,750rpm	3,750rpm
Torque, max.	220nm @ 1,750-3,000rpm	260nm @ 1,750 - 2,750rpm
Fuel tank capacity	60L	
6-speed manual gearbox	●	●
Driven axle	Front	
Alternator	14V/150A	

● Standard ○ Optional

Fuel consumption, performance and CO₂ emissions.

Model	CO ₂ emissions (g/km)			Fuel consumption (mpg)		
	Combined	Urban	Extra-urban	Combined	Urban	Extra-urban
Panel Van - PURE						
109CDI FWD Van L2	117	126	112	62.8	58.9	65.7
111CDI FWD Van L2	122	136	114	61.4	54.3	65.7
109CDI FWD Van L3	122	133	115	61.4	55.4	64.2
111CDI FWD Van L3	125	139	117	58.9	53.3	64.2

All figures are based on a standard specification. The choice of wheels and transmission may affect CO₂ emissions and corresponding Road Fund Licence. The indicated values were determined according to the prescribed measurement method – Worldwide Harmonised Light Vehicle Test Procedure (WLTP). Figures shown may include options which are not available in the UK. Figures shown are for comparability purposes; only compare with other vans tested to the same technical procedures. Figures may not reflect real life driving results, which will depend upon a number of factors including factory-fitted options, accessories fitted (post registration), variations in weather, driving styles and vehicle load. Further information about the test used to establish fuel consumption and CO₂ figures can be found at <https://www.mercedes-benz.co.uk/vans/en/WLTP>

Model	CO ₂ emissions (g/km) [WLTP]					Fuel consumption (mpg) [WLTP]				
	Combined	Low-speed	Medium-speed	High-speed	Extra high-speed	Combined	Low-speed	Medium-speed	High-speed	Extra high-speed
Tourer - PRO										
109CDI FWD Tourer L2	147	149	132	128	171	50.4	49.6	56.5	57.6	43.5
111CDI FWD Tourer L2	146	144	132	127	171	50.4	51.4	56.5	57.6	42.8

All figures are based on a standard specification.

The choice of wheels and transmission may affect CO₂ emissions and corresponding Road Fund Licence.

The indicated values were determined according to the prescribed measurement method – Worldwide Harmonised Light Vehicle Test Procedure (WLTP). Figures shown may include options which are not available in the UK. Figures shown are for comparability purposes; only compare with other vans tested to the same technical procedures. Figures may not reflect real life driving results, which will depend upon a number of factors including factory-fitted options, accessories fitted (post registration), variations in weather, driving styles and vehicle load. Further information about the test used to establish fuel consumption and CO₂ figures can be found at <https://www.mercedes-benz.co.uk/vans/en/WLTP>

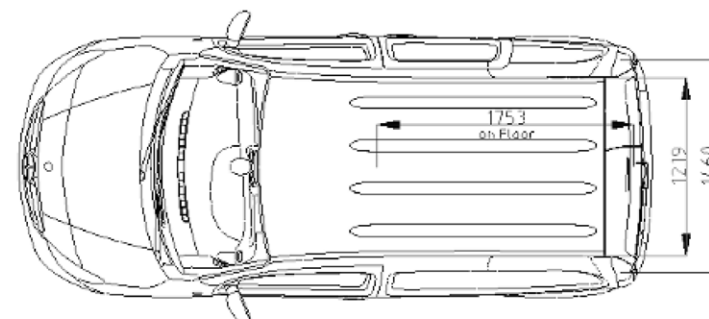
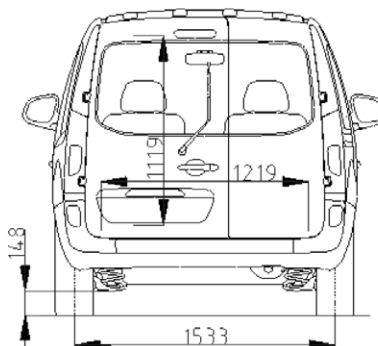
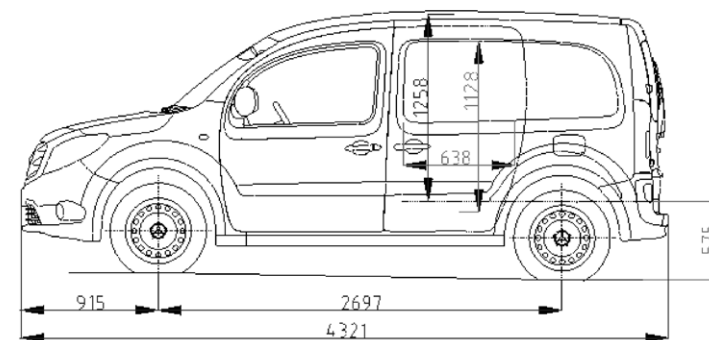
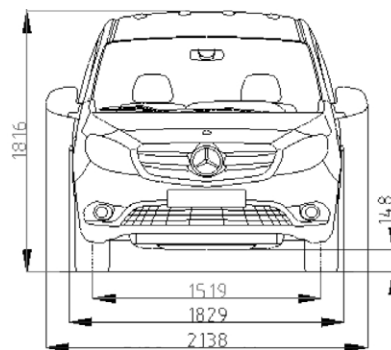
Weights and payloads.

Model	Gross Vehicle Weight (Kg)	Unladen Weight (Kg)	Payload (Kg)	Gross Train Weight (Kg)
Panel Van - PURE				
109CDI FWD Van L2	1,980	1,465	515	3,030
111CDI FWD Van L2	1,980	1,465	515	3,030
109CDI FWD Van L3	2,200	1,539	661	3,250
111CDI FWD Van L3	2,200	1,539	661	3,250
Tourer - PRO				
109CDI FWD Tourer L2	2,000	1,566	434	3,050
111CDI FWD Tourer L2	2,000	1,566	434	3,050

Dimensions.

PANEL VAN L2

Wheelbase	Wheelbase length	2,697mm
	Turning circle	11.2m ³
	Front track width	1,829mm
	Rear track width	1,533mm
Vehicle	Length	4,321mm
	Height (unladen)	1,816mm
	Width (inc. wing mirrors)	2,138mm
	Ground clearance	148mm
Load compartment	Length	1,753mm
	Load volume	3.1m ³
	Max. width	1,460mm
	Width between wheel arches	1,219mm
	Height	1,258mm
	Rear loading height (step height from ground to load floor)	1,119mm

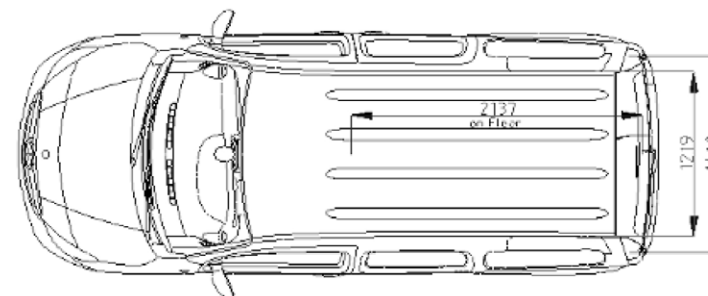
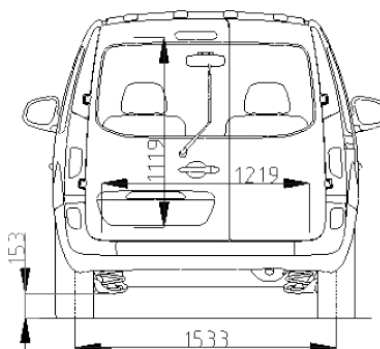
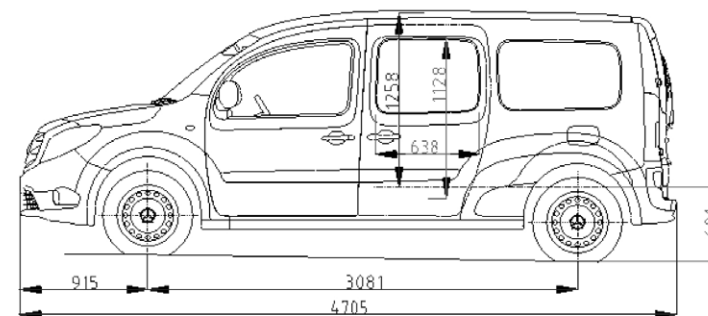
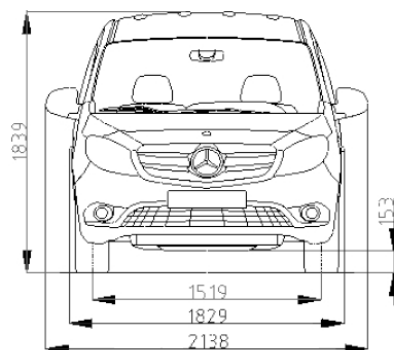


*Measured on vehicle floor and includes 370mm for the space beneath the front seats.

Dimensions.

PANEL VAN L3

Wheelbase	Wheelbase length	3,081mm
	Turning circle	12.4m ³
	Front track width	1,519mm
	Rear track width	1,533mm
Vehicle	Length	4,705mm
	Height (unladen)	1,839mm
	Width (inc. wing mirrors)	2,138mm
	Ground clearance	153mm
Load compartment	Length	2,137mm
	Load volume	3.8m ³
	Max. width	1,460mm
	Width between wheel arches	1,219mm
	Height	1,258mm
	Rear loading height (step height from ground to load floor)	1,119mm

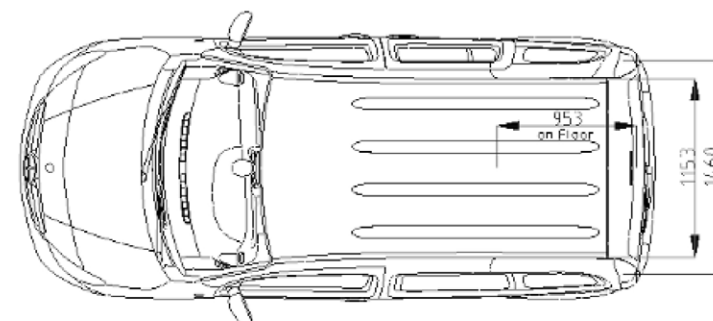
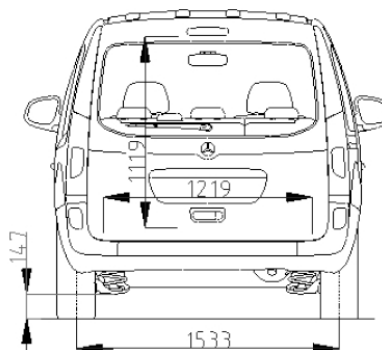
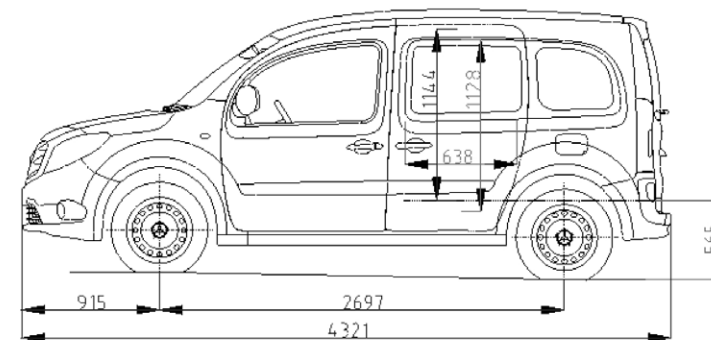
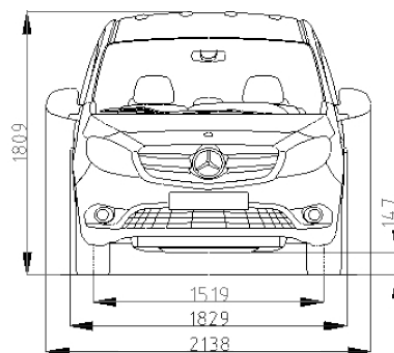


*Measured on vehicle floor and includes 370mm for the space beneath the front seats.

Dimensions.

TOURER L2

Wheelbase	Wheelbase length	2,697mm
	Turning circle	11.2m ³
	Front track width	1,829mm
	Rear track width	1,533mm
Vehicle	Length	4,321mm
	Height (unladen)	1,816mm
	Width (inc. wing mirrors)	2,138mm
	Ground clearance	148mm
Load compartment	Length	953mm
	Load volume	-
	Max. width	1,460mm
	Width between wheel arches	1,219mm
	Height	1,255mm
	Rear loading height (step height from ground to load floor)	1,119mm



*Measured on vehicle floor and includes 370mm for the space beneath the front seats.

List prices.

	Basic Recommended Retail Price (Inc. Tariff and Ex. VAT)	Basic Recommended Retail Price (Inc. Tariff and Inc. VAT)
Panel Van - PURE		
109CDI FWD Van L2	£18,645	£22,374
111 CDI FWD Van L2	£19,435	£23,322
109CDI FWD Van L3	£19,900	£23,880
111 CDI FWD Van L3	£20,690	£24,828
Tourer - PRO		
109CDI FWD Tourer L2	£20,630	£24,756
111 CDI FWD Tourer L2	£21,415	£25,698

Prices are effective from 1 January 2021 production and are correct at time of going to press/print 12/2020. All prices are subject to any fiscal or legislative changes, including but not limited to any tariffs imposed as a result of Brexit following 31.12.2020.

This document is for guidance only and must be used in conjunction with a configuration tool prior to final specification decisions and vehicle quotations being prepared and accepted. List prices are quoted ex-factory unless otherwise stated. Delivery charges excluding VAT will be added to model prices quoted in this document. Prices based on standard finish paint choice. Mercedes-Benz Vans UK and authorised Dealers reserve the right to alter specification and vary prices without notice. The availability of options may depend on the chosen base vehicle and other optional equipment specified, and should be confirmed with your Mercedes-Benz Vans Dealer prior to order placement. VAT is calculated at the standard rate of 20%. Mercedes-Benz Vans UK Ltd, Tongwell, Milton Keynes, MK15 8BA.

Introducing Mercedes-Benz Approved Used Vans.

Know exactly what you're getting into.

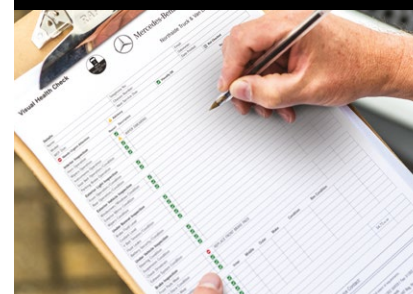
If you're looking for a used Citan that offers the same commitment to quality and workmanship as new, look no further than a Mercedes-Benz Approved Used Citan van. Each van has been rigorously inspected by Mercedes-Benz technicians and comes with the following assurances as standard:

- > Will be no older than 6 years
- > Less than 150,000 miles on the clock
- > Full service history
- > Minimum of 24-months' warranty
- > Minimum of 3mm tyre tread depth on all tyres
- > 12-month MOT
- > Mercedes-Benz Approved Used Vans Mechanical Breakdown Insurance
- > Free 24/7 MobiloVan roadside assistance*
- > Corrosion warranty renewal
- > 10 day exchange period
- > Complimentary 7-day insurance coverage.

Find your Approved Used Citan:

- > www.usedvans.mercedes-benz.co.uk/used-van-search/

* Terms and conditions apply



The Mercedes-Benz Citan 21

Finance options.

Get an agreement that suits you with Mercedes-Benz Finance.

At Mercedes-Benz Finance we have a number of finance options you can choose from to suit your business needs, because we understand the complexities of running a modern-day business...

Agility

A flexible method of financing a vehicle over a fixed term. The agreement defers your decision of whether you purchase, hand back or part-exchange your vehicle until the end of your agreement.

- Fixed regular payments mean you can easily budget
- Payments are based only on a proportion of the van's value, keeping your monthly payments lower
- Our Optional Purchase Payment avoids the risk of unplanned depreciation of your vehicle.

Hire Purchase

A straightforward route to ownership. This is the perfect way to buy a Mercedes-Benz if you want to work your way up to full ownership, spreading the overall cost over a fixed term.

- On completion of the agreement you will own the vehicle
- A flexible deposit and repayment term means you can tailor the financial agreement to suit you
- Monthly payments are not based on annual mileage.

Operating Lease

A solution for those who want to drive one of our vehicles over a fixed term, with lower monthly rentals and without the worries or commitment of ownership.

- Pay an advance rental upfront
- Rentals are based on your annual mileage agreed at the start of your agreement and only on a proportion of the vehicle's value, keeping your monthly payments lower
- Rentals are allowable against taxable profits (proportionally).

Contract Hire

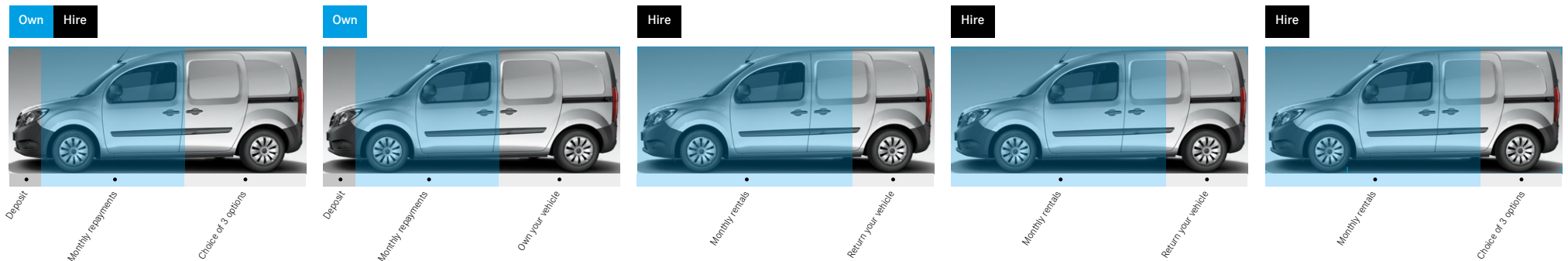
Gives you the ability to enjoy driving a Mercedes-Benz without having to take on full ownership. With Contract Hire, you lease your vehicle for a fixed period and for a fixed monthly rental.

- No need for a large initial deposit
- Repair and Maintenance options are also available
- VAT is reclaimable depending on usage (proportionally).

Finance Lease

Allows your vehicle to appear as an asset on your balance sheet, without the option of ownership as you hire a vehicle for a fixed period.

- Fixed regular payments enable you to easily budget
- The vehicle is an asset on the balance sheet, therefore tax allowances may be deducted from taxable profits
- Payments are not based on annual mileage.



➤ [For more information about our finance options](#)

After care.

Keeping Businesses Moving.

Once you've driven away in your new Citan, the support we provide doesn't stop there. Did you know we offer a number of ways to keep your business moving long into the future? It's perhaps one of our best kept secrets...

▶ ServiceCare

Because you don't stop, we don't either. We offer a range of servicing options to suit every business and to keep your vehicles on the road and running at their peak performance.

- **ServiceCare Maintenance**

Spread the cost of up to 6 services and save, without entering into a credit agreement. Pay one upfront sum or by monthly Direct Debit.

- **ServiceCare Flex**

Fix and reduce servicing costs for your van fleet by buying them in bulk. Specifically designed for fleets operating 25+ vehicles.

- **ServiceCare Complete**

Tailor a package that covers all your service and maintenance requirements and maintenance costs.

[Find out more about service and repairs](#)

▶ MobiloVan

All Mercedes-Benz Vans come with MobiloVan, our free roadside assistance 24/7, across Europe*. If you breakdown, have a collision or can't start your van, call MobiloVan and a technician with an average response time of under 60 minutes will arrive in a van stocked with Mercedes-Benz GenuineParts. With an average roadside repair rate of 80%, you'll be moving again in no time.

[Find out more about MobiloVan](#)

▶ 3 year warranty

Because we want to help keep businesses moving today and in the future, all our new vans come with a free 3 year unlimited mileage warranty.

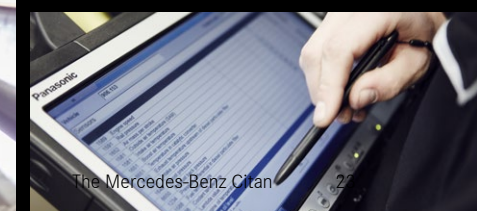
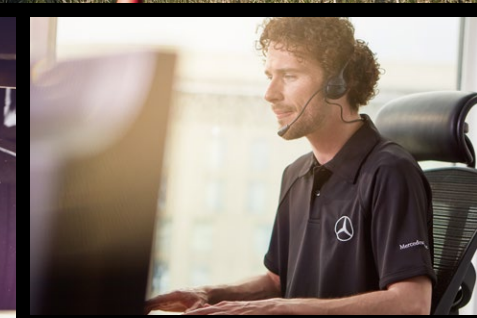
[Find out more about warranties](#)

▶ 24/7 Dealer network

Our nationwide network of approved Dealers is here to help your business maintain momentum. Most Dealers work until midnight and over a third are open 24/7.

[Find out more about our Dealer network](#)

*For a full list of exclusions and all product terms please visit mbvans.co.uk/mobilovan.



Citan PURE

Citan PRO

Equipment

Engine and gearbox

Fuel consumption

Weights and payloads

Dimensions

List prices

Approved Used Citan

Terms and Conditions Vehicle and option availability and combinations may be subject to change since this price list was issued. Model and option List Price are quoted ex-factory and exclude VAT unless otherwise stated. A standard delivery charge of £600 excluding VAT will be added to model prices quoted in this price list. All model prices include standard finish paint choice. The right is reserved to alter specification and vary prices without notice. The availability of options may depend on the chosen base vehicle and other optional equipment specified, and should be confirmed with your Mercedes-Benz Dealer prior to order placement. Mercedes-Benz Vans UK Ltd, Tongwell, Milton Keynes, MK15 8BA